

SURE CLEAN VI PORTABLE DECON SHOWER



Owner's Manual

**Advanced Containment Systems Inc.
8720 Lambright Road Houston, TX 77075
Phone 800-927-2271 Fax 713-987-0355
www.acsi-us.com**

SPECIFICATIONS

Shower Dimensions:

Length: 136"
Width: 84"
Height: 87.5"

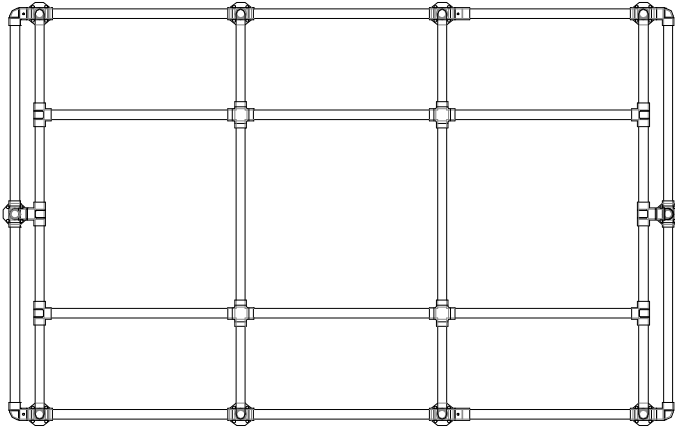
Sump Dimensions:

Length: 130"
Width: 78"
Height: 5"
Unit weight: 250 lbs.
Capacity aprox. 175 gal.

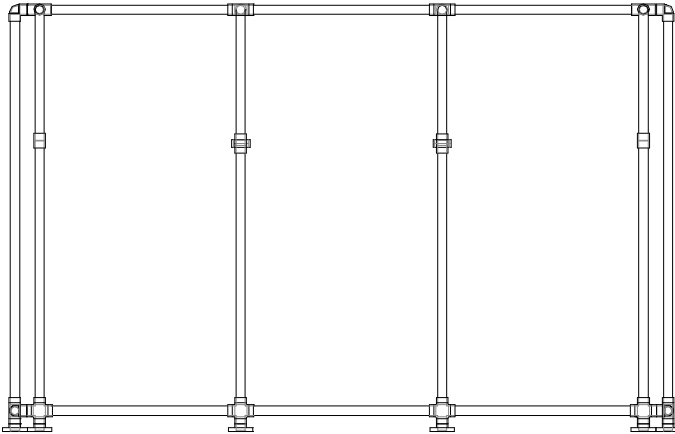
Flow Rate: 6 nozzles @ 1 GPM each.
Total 6 GPM for solution or rinse.
Two (2), QD fittings w/ valves @ 3 GPM ea.

Advanced Containment Systems Inc.
8720 Lambright Road Houston, TX 77075
Phone 800-927-2271 Fax 713-987-0355
www.acsi-us.com

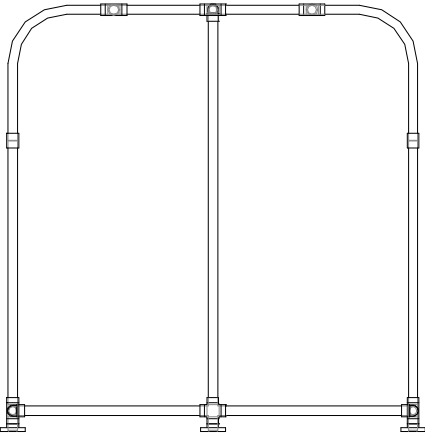
Sure Clean VI Frame Layout



PLAN VIEW



SIDE VIEW



FRONT & REAR VIEW

Advanced Containment Systems Inc.
8720 Lambright Road Houston, TX 77075
Phone 800-927-2271 Fax 713-987-0355
www.acsi-us.com