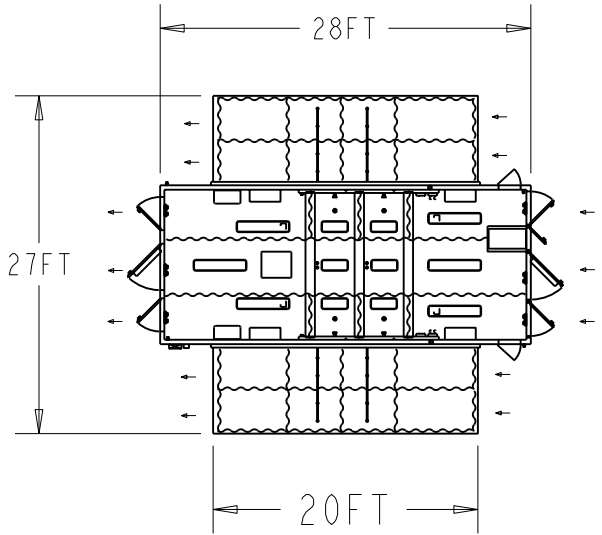
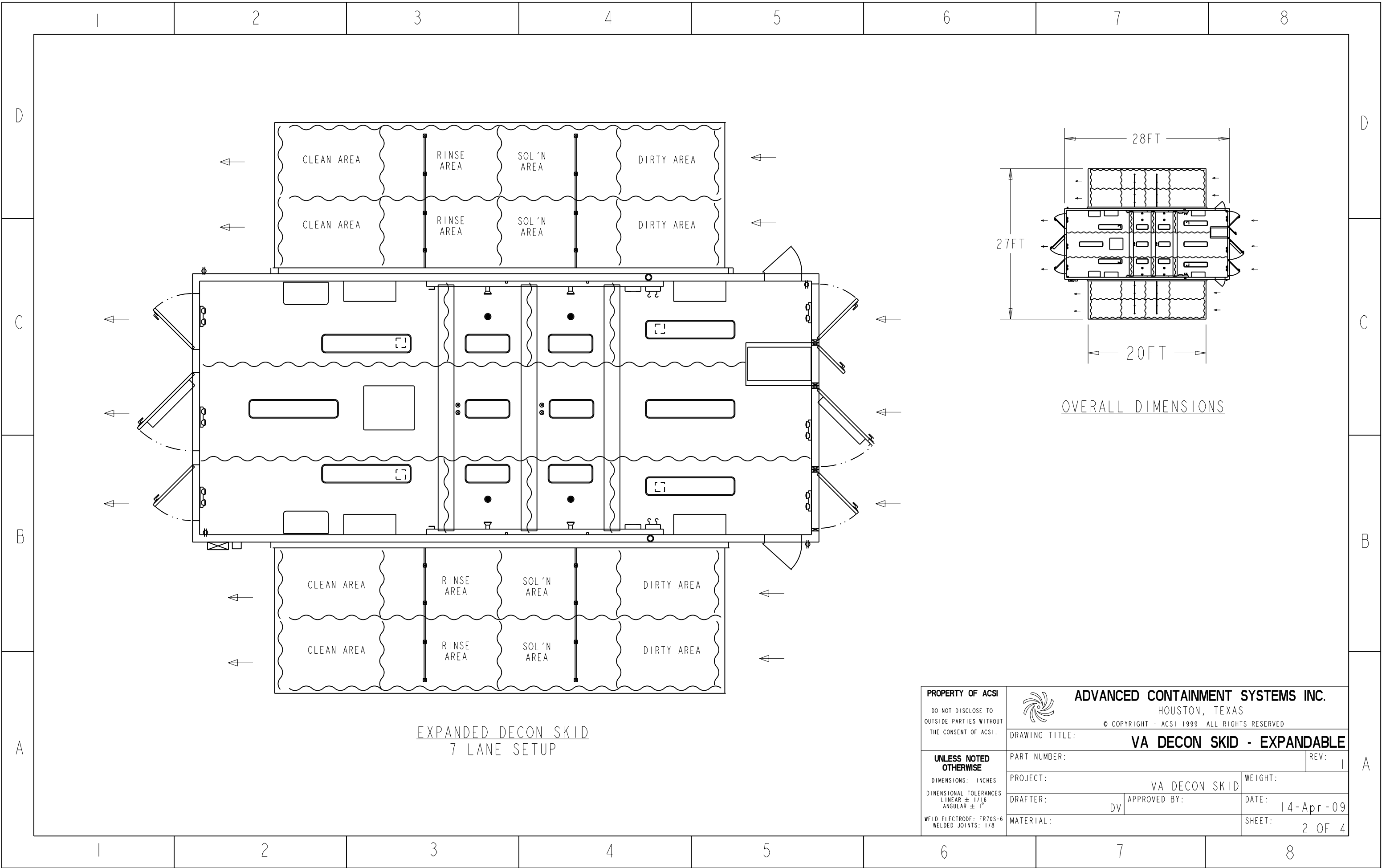


**DECON SKID
3 LANE CONFIGURATION**

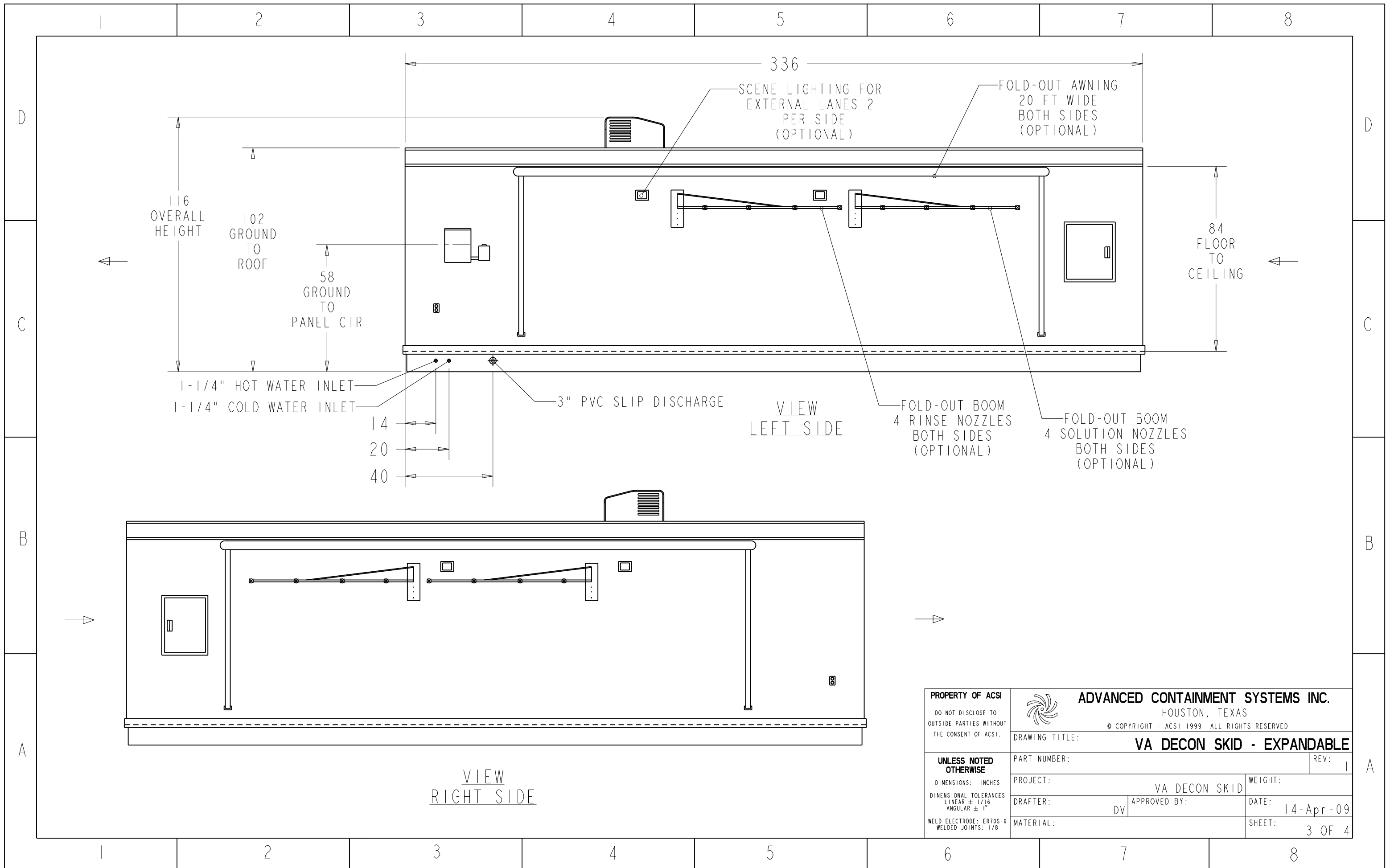
PROPERTY OF ACSI DO NOT DISCLOSE TO OUTSIDE PARTIES WITHOUT THE CONSENT OF ACSI.	ADVANCED CONTAINMENT SYSTEMS INC. HOUSTON, TEXAS <small>© COPYRIGHT - ACSI 1999 ALL RIGHTS RESERVED</small>		
	DRAWING TITLE: VA DECON SKID - EXPANDABLE		
UNLESS NOTED OTHERWISE DIMENSIONS: INCHES DIMENSIONAL TOLERANCES LINEAR ± 1/16 ANGULAR ± 1° WELD ELECTRODE: ER70S-6 WELDED JOINTS: 1/8	PART NUMBER:	REV: 1	
	PROJECT: VA DECON SKID	WEIGHT:	
	DRAFTER: DV	APPROVED BY:	DATE: 14-Apr-09
	MATERIAL:	SHEET: 1 OF 4	




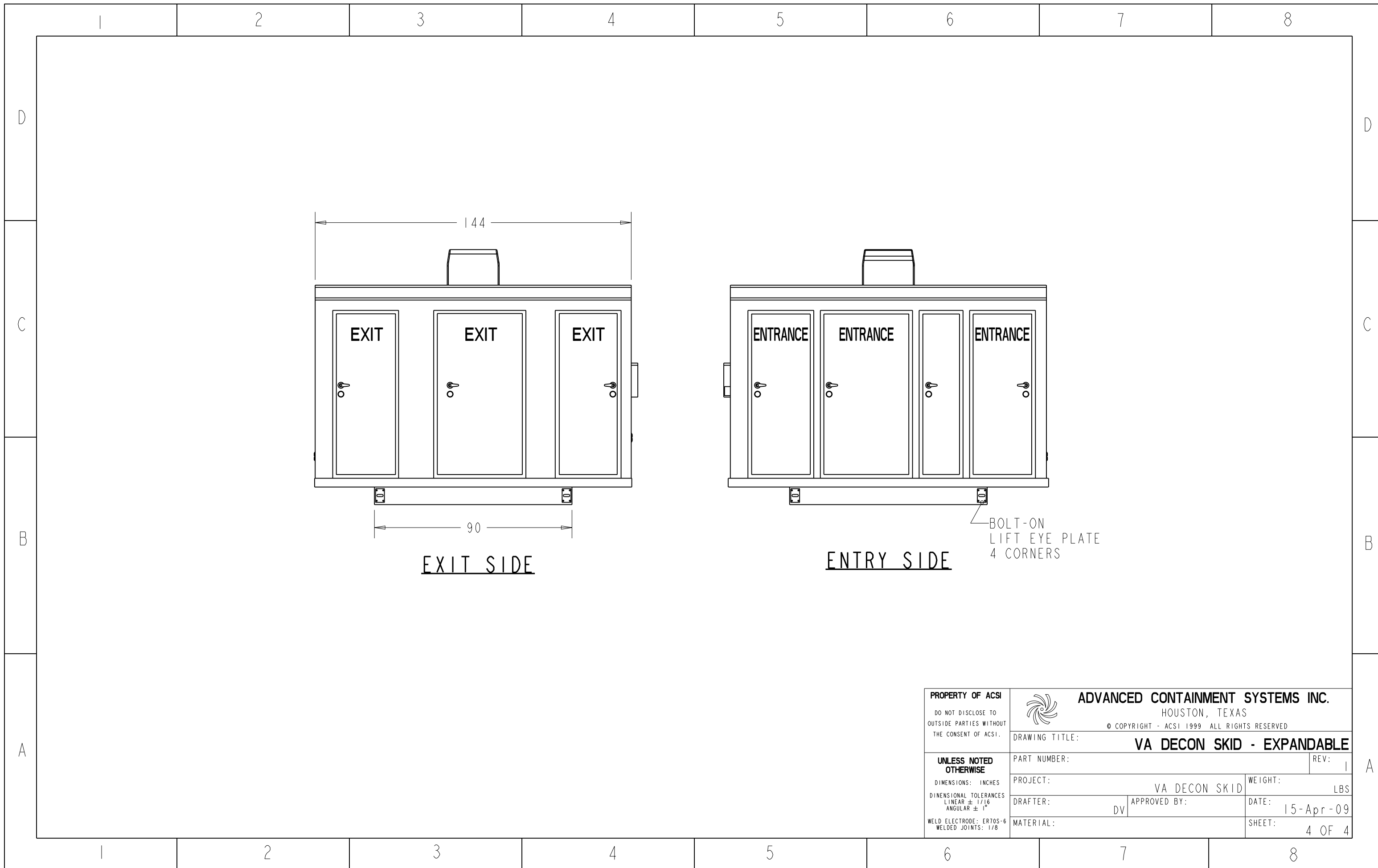
OVERALL DIMENSIONS


EXPANDED DECON SKID
7 LANE SETUP

PROPERTY OF ACSI DO NOT DISCLOSE TO OUTSIDE PARTIES WITHOUT THE CONSENT OF ACSI.	ADVANCED CONTAINMENT SYSTEMS INC. HOUSTON, TEXAS <small>© COPYRIGHT - ACSI 1999 ALL RIGHTS RESERVED</small>	
	DRAWING TITLE: VA DECON SKID - EXPANDABLE	
UNLESS NOTED OTHERWISE DIMENSIONS: INCHES DIMENSIONAL TOLERANCES LINEAR ± 1/16 ANGULAR ± 1° WELD ELECTRODE: ER70S-6 WELDED JOINTS: 1/8	PART NUMBER:	REV: 1
	PROJECT: VA DECON SKID	WEIGHT:
	DRAFTER: DV APPROVED BY:	DATE: 14-Apr-09
	MATERIAL:	SHEET: 2 OF 4



PROPERTY OF ACSI DO NOT DISCLOSE TO OUTSIDE PARTIES WITHOUT THE CONSENT OF ACSI.	 ADVANCED CONTAINMENT SYSTEMS INC. HOUSTON, TEXAS <small>© COPYRIGHT - ACSI 1999 ALL RIGHTS RESERVED</small>		
	DRAWING TITLE: VA DECON SKID - EXPANDABLE		
UNLESS NOTED OTHERWISE DIMENSIONS: INCHES DIMENSIONAL TOLERANCES LINEAR ± 1/16 ANGULAR ± 1° WELD ELECTRODE: ER70S-6 WELDED JOINTS: 1/8	PART NUMBER:	REV: 1	
	PROJECT: VA DECON SKID	WEIGHT:	
	DRAFTER: DV	APPROVED BY:	DATE: 14-Apr-09
	MATERIAL:	SHEET: 3 OF 4	



PROPERTY OF ACSI DO NOT DISCLOSE TO OUTSIDE PARTIES WITHOUT THE CONSENT OF ACSI.	 ADVANCED CONTAINMENT SYSTEMS INC. HOUSTON, TEXAS <small>© COPYRIGHT - ACSI 1999 ALL RIGHTS RESERVED</small>		
	DRAWING TITLE: VA DECON SKID - EXPANDABLE		
UNLESS NOTED OTHERWISE DIMENSIONS: INCHES DIMENSIONAL TOLERANCES LINEAR ± 1/16 ANGULAR ± 1° WELD ELECTRODE: ER70S-6 WELDED JOINTS: 1/8	PART NUMBER:	REV: 1	
	PROJECT: VA DECON SKID	WEIGHT: LBS	
	DRAFTER: DV	APPROVED BY:	DATE: 15-Apr-09
	MATERIAL:	SHEET: 4 OF 4	